

DATE:	PROJECT:	TYPE:
-------	----------	-------

Round



Construction

- Cast aluminum trim routes heat away from electrical components
- 2" LED housing required for use of 2" LED Downlight Series

Optical System

- Optical lens diffusers eliminate "hot spots", uniform light
- Beam spread options available: Standard Flood, Narrow Flood

Electrical

- Utilizes high performing LEDs with greater than 90 CRI and an R9 greater than 50
- Dimmable to 10% with most standard triac dimmers
- Operating temperature: 0°F to 120°F (-18°C to 49°C)
- Lifetime rated for greater than 35,000 hours
- LM-79, LM-80 testing performed in accordance with IESNA standards
- 120V input to driver

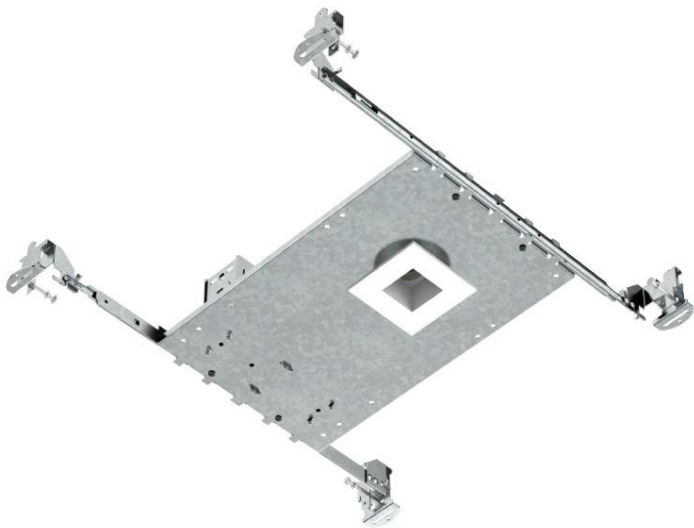
Finish

- Exterior white powder coat finish
- Also available in black, oil-rubbed bronze and nickel

Installation

- 2" recessed NC housings required. (Also available in remodel and IC/ Airtight)
- Quick and easy installation with a snap-in IDEAL connector and friction clip mounting system

Square



DATE:	PROJECT:	TYPE:
-------	----------	-------

Listing / Warranty

- ETL listed to US and Canadian standards for damp location
- 2 Year Limited Warranty.

Applications

- Contemporary 2" LED downlight, available in both, round & square trims, with high-performance LED modules. Ideal for residential & commercial applications.

Specifications:

Input Voltage	120 V
Power	8W
Lumen	600 lm
System Efficacy	75 lm / W
CCT	3000K, 4000K, 5000K
CRI	80 CRI

Example:

EX: SL2R - 30K - WH - 30K



SERIES / SHAPE	LUMEN OUTPUT	VOLTAGE	CCT
SL2-R Round Trim	600 lm	AC 120V	30K • 3000K
SL2-SQ Square Trim			40K • 4000K
			50K • 5000K

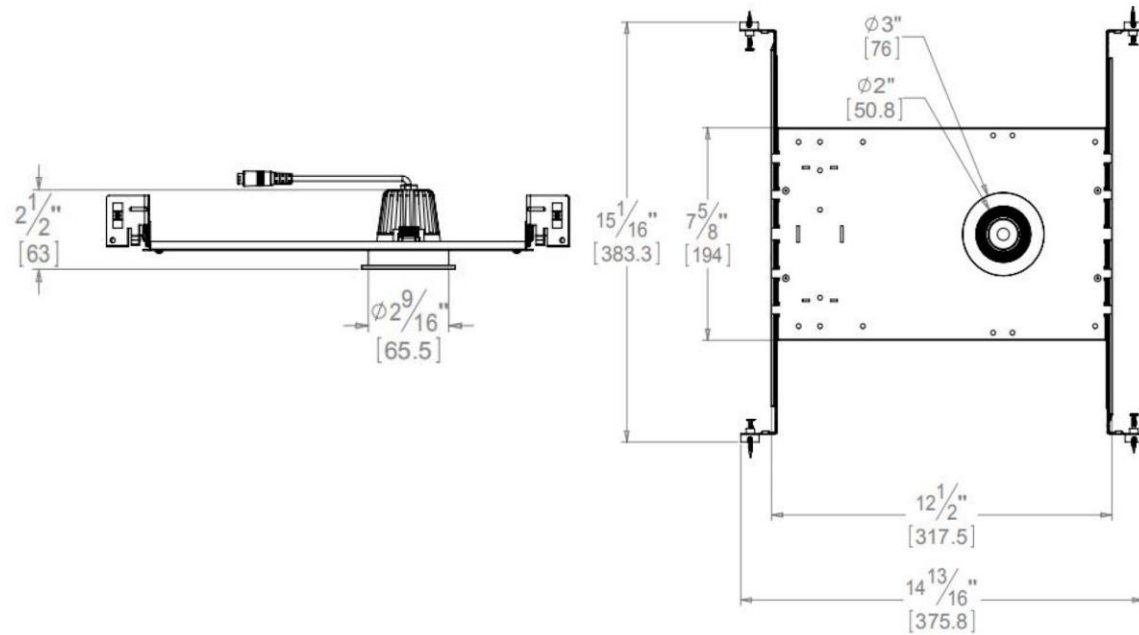
5. FINISH	6. OPTIC
WH (White)	(Blank) (24 DEGREES)
BN (Nickel)	36 (36 DEGREES)
BK (Black)	
ORB (Oil Rubbed Bronze)	

*Custom options available, consult factory for special requirements...

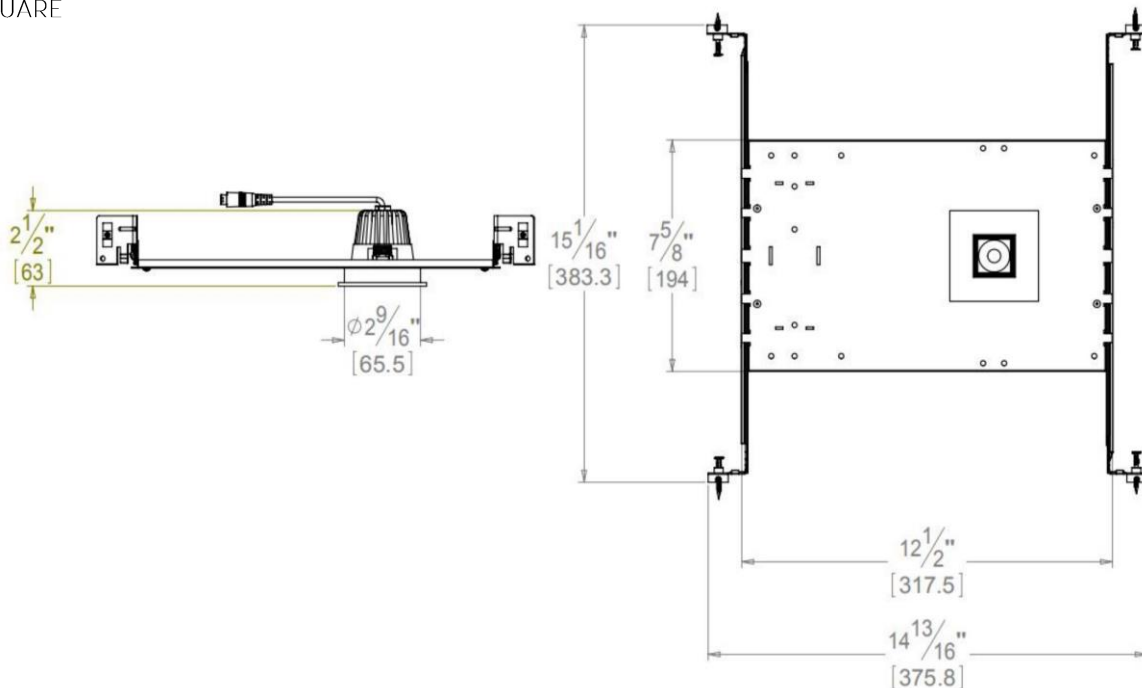
DATE:	PROJECT:	TYPE:
-------	----------	-------

DIMENSIONS

ROUND



SQUARE



SPECIFICATIONS SUBJECT TO CHANGE, CONSULT FACTORY WHEN CRITICAL.