

DATE:	PROJECT:	TYPE:
-------	----------	-------

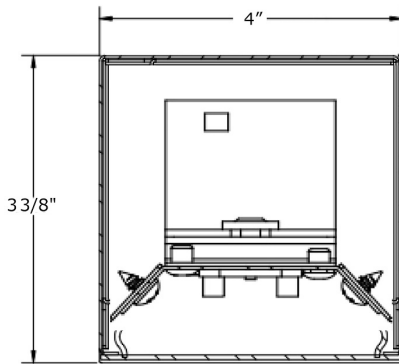


Features

- 1200 lumens per foot.
- Finish painted parts are treated with a five-stage phosphate bonding process and finished with high reflectance baked enamel.
- Diffuser snaps into housing.
- Shallow depth provides sleek, low-profile appearance.
- Available in surface, suspended, wall and recessed mount.
- Connections possible via T/L/X joiners.
- Class II /P driver, 0 - 10 % or Triac dimming.
- Optional CCT field-selectable.
- 2 year factory warranty.



Dimensions



Fixture performance

- High performance linear configured LED module boards.
- Each board consists of multiple mid-power, high efficacy LED's in a precise layout eliminating the need for supplemental heatsinking.
- The boards produce an even and diffuse light which maximizes optical efficiency.
- Compatible with the dimming performance of the LED driver.
- Color temperatures is field interchangeable.

LED Drivers

Universal voltage input: 120V-277V.

Optional Motion Sensor

Self-contained microwave motion sensor mount directly to luminaire.

Installation

May be Surface mounted wall mounted, recessed or suspended.

LED Lumen Packages

- Custom lumen packages pre-set are optional with programmable drivers only. Contact factory for details.

Housing

- Fabricated from code grade cold rolled steel with a white polyester finish for long lasting durability.

Diffuser

- Extruded from frosted acrylic material.
- Linear ribbing for high LED performance.
- One-piece diffuser runs the entire luminaire length.
- Surge protector.

SPECIFICATIONS SUBJECT TO CHANGE, CONSULT FACTORY WHEN CRITICAL.

DATE:	PROJECT:	TYPE:
-------	----------	-------

Ordering Code

EX: SL-ARC-4-2-3CCT-UNV-SM-BK

<p>SERIES</p> <p>SL-ARC-4</p> <ul style="list-style-type: none"> LED 4" Architectural Linear Fixture 	<p>LENGTH (FT)</p> <p>SL-ARC-4</p> <ul style="list-style-type: none"> 2 20W - 23 7/8" 3 30W - 35 6/8" 4 40W - 47 3/8" 5 50W - 59 2/8" 6 60W - 70 6/8" 8 80W - 94 1/8" 	<p>COLOR TEMP</p> <p>CCT:</p> <ul style="list-style-type: none"> 30K - 3000K 35K - 3500K 40K - 4000K 50K - 5000K 3CCT tunable 30K, 35k, 40k 	<p>VOLTAGE</p> <p>UNV</p> <ul style="list-style-type: none"> 120V - 120V 277V - 277V
<p>MOUNTING</p> <ul style="list-style-type: none"> SM Surface Mount PM Pendant Mount WM Wall Mount RM Recessed Mount Trimmed RR Recessed Mount (Trimless) 	<p>LIGHT SOURCE</p> <p>BLANK</p> <ul style="list-style-type: none"> 100% Down-Light <p>UP</p> <ul style="list-style-type: none"> 100% Up-Light <p>75-25%</p> <ul style="list-style-type: none"> 75% Up 25% Down <p>25-75%</p> <ul style="list-style-type: none"> 25% Up 75% Down 	<p>OPTIONS</p> <p>EMERGENCY PACK</p> <ul style="list-style-type: none"> EM 120V - Emergency Pack EM 277V - Emergency Pack <p>SENSORS & CONTROLS</p> <ul style="list-style-type: none"> MS - Motion Sensor Self-contained microwave motion sensor mount directly to luminaire. 	<p>JOINER</p> <ul style="list-style-type: none"> JO - Links fixtures seamless, utilizing longest runs (Sold separately).
<p>FINISH</p> <ul style="list-style-type: none"> WH White BK Black 		<p>Lit Corners</p> <ul style="list-style-type: none"> SL-ARC-4-T - T shape lit connector SL-ARC-4-L - L shape lit connector SL-ARC-4-X - X shape lit connector 	

SPECIFICATIONS SUBJECT TO CHANGE, CONSULT FACTORY WHEN CRITICAL.