

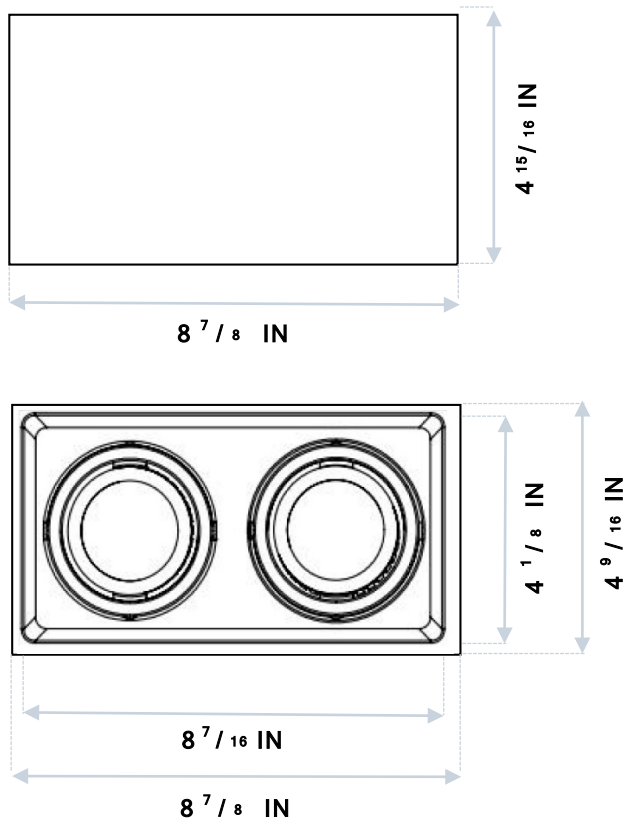
DATE:	PROJECT:	TYPE:
-------	----------	-------



Features

- The DUO surface-mounted LED cylinder incorporates modern aesthetics, industry-leading light distribution, high efficiency and energy savings.
- The light source can be adjusted 25° vertically and 360° horizontally to direct the beam in any direction to meet your diverse lighting needs.
- Options for beam angle of 12°, 24°
- Patented convenient installation structure for quick and easy installation.
- Dimming: Non-Dimming / TRIAC Dimming.
- Adaptable 3" and 4" embedded box mounting.

Product Dimension



Specifications

- Lamp Body: Made of die-cast aluminum..
- Power Supply: Constant current power supply, long life, low electromagnetic interference, low energy consumption, high performance, short circuit and overcurrent protection.
- Light Source: Using big brand COB lamp beads, color rendering index 80+, 90+ are optional, a variety of color temperature options (3000K, 4000K, 5000K, 6500K).
- Mounting plate: Patent structure.

Applications

- Residential, commercial & Hospitality.

Listing / Warranty

- ETL listed to US and Canadian standards for damp locations.
- 5 year limited warranty.

SPECIFICATIONS SUBJECT TO CHANGE, CONSULT FACTORY WHEN CRITICAL.

DATE:	PROJECT:	TYPE:
-------	----------	-------

Ordering Code

EX: DUO - 16W - 30K - 120V - 90 - ND - BK

1 2 3 4 5 6 7



1 • SERIES

DUO

- DUO SURFACE MOUNT, SQUARE LED CYLINDER

2 • LUMEN

- 16W | 2240 lm
- 20W | 3200 lm
- 30W | 5000 lm

3 • COLOR TEMP

- 27K - 2700K
- 30K - 3000K
- 40K - 4000K
- 50K - 5000K

4 • VOLTAGE

- 120V - AC 120V
- 277V - AC 277V
- 120-277V - AC 120-277V

5 • CRI

- 80 - 80 +
- 90 - 90 +

6 • DIMMING

- ND - Non-Dim
- DIM - TRIAC Dimming

7 • FINISH

- BK - Black
- WH - White